



LRG SERIES HIGH PERFORMANCE GUIDE WHEELS

Jesa.
bearing solutions

SOLUTION ADVANTAGES

- Low noise, low vibration, highest lifetime
- Optimized sealing (no grease leakage, low friction, dust protection)
- Low acoustic noise
- High speed, high precision
- Used in many applications (rings in 100Cr6 or 1.4125, specific greasing and sealing)
- Direct contact with manufacturer and designers
- Short delivery time (stainless steel version on request)

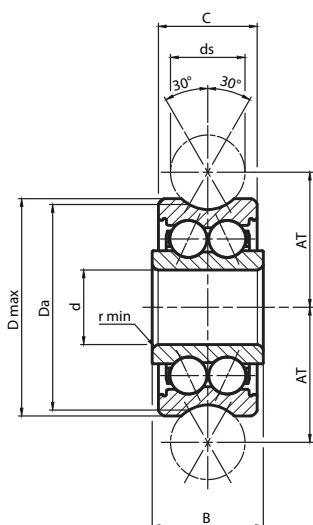
TECHNICAL SPECIFICATIONS

Product family name	LRG
Operating temperature	From -35°C to 120°C
Sealing	Labyrinth seal NBR/Z shield
Max speed	10 m/s



 LRG
SWISS MADE

AVAILABLE DIMENSIONS (in mm)



JESA designation	Dimensions in mm								Charge capacity in N			
	d	D max	B	AT	C	Da	Ds	r min	Crw	Corw	Fr	Fro
LRG 5-16-4 2RZ	5	16	8	9	7	14.54	4	0.2	1'600	880	1'750	1'750
LRG 5-17-6 2RZ	5	17	8	10.5	7	15.8	6	0.2	1'700	940	2'300	1'850
LRG 8-24-6 2RZ	8	24	11	14	11	22.8	6	0.3	4'300	2'350	2'750	4'800
LRG 12-35-10 2RZ	12	35	15.9	20.65	15.9	32.64	10	0.6	8'550	5'200	4'900	10'200
LRG 12-35-12 2RZ	12	35	15.9	21.75	15.9	33.11	12	0.6	8'600	5'200	5'300	10'300
LRG 12-42-10 2RZ	12	42	19	24	19	38.95	10	0.6	13'600	8'000	6'500	15'800
LRG 15-47-10 2RZ	15	47	19	26.65	19	44.64	10	1	15'500	9'300	12'000	18'500
LRG 20-52-16 2RZ	20	52	22.6	31.5	20.6	49.14	16	1	16'200	9'870	11'000	17'600
LRG 25-72-20 2RZ	25	72	25.8	41	23.8	64.68	20	1	24'100	16'700	21'200	38'600
LRG 25-72-25 2RZ	25	72	25.8	43.5	23.8	65.35	25	1	23'200	16'400	19'300	35'000

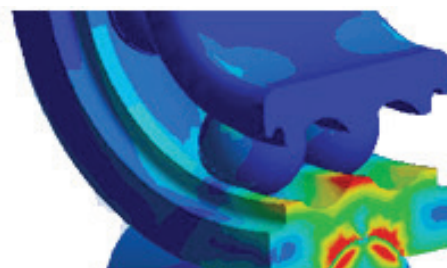
For stainless steel rollers, add «S» before the JESA designation. As standard for the stainless LRG rollers, the «RZ» shield in the carbon roller is replaced by a «RS» seal. So a typical designation of a stainless LRG roller will be «SLRG 5-16-4 2RS»

APPLICATION SPECIFICATIONS

Success, know-how and experience gained during many years of track roller development and manufacture within JESA, one of the leaders in standardized LRG rollers.

The LRG range of products provides optimized guide wheel precision with very low noise and low vibration together with incredible precision.

Track rollers are made of 100Cr6 steel or high quality stainless steel 1.4125 and operate from -35 °C to +120 °C.



Finite Element Analysis (FEA)