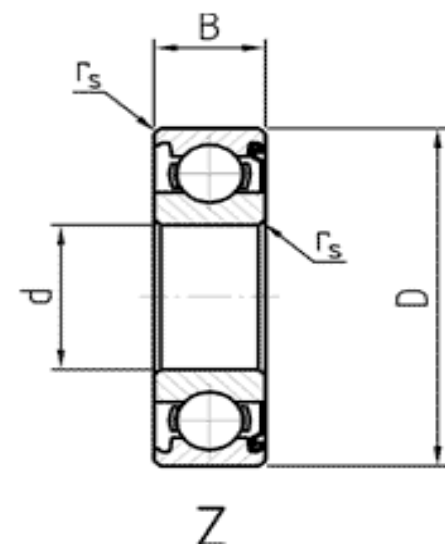


Standard deep groove ball bearings by JESA

| Dimensions | | | Abbreviations and executions | | | | | | Basic loads | | Speed limits rpm | | | Dimensions in mm | | Balls | | Cages available | | | | Unit weight in kg | |
|------------|----|-----|------------------------------|------------|---------------|-----------------|----------------|------------------|-------------|-------------|------------------|--------|----------|------------------|--------|---------|-------|-----------------|---|---|-----|-------------------|---------|
| d | D | B | rs min | Open exec. | One (Z) flask | Two (2Z) flasks | One (RS) joint | Two (2RS) joints | C, dyn. N | Cor stat. N | Lubricate | Oil | RS / 2RS | da min | Da max | Numbers | Ø | Y | J | W | T9H | | |
| 2 | 5 | 1,5 | 0,08 | 618/2 | - | - | - | - | 130 | 50 | 85000 | 100000 | - | 2,70 | 3,90 | 6 | 0,800 | | | X | | 0,00015 | |
| | 5 | 2 | 0,08 | 628/2 | - | - | - | - | 130 | 50 | 85000 | 100000 | - | 2,70 | 3,90 | 6 | 0,800 | | | X | | 0,00018 | |
| | 5 | 2,3 | 0,08 | 638/2 | 638/2 Z | 638/2 2Z | - | - | 130 | 50 | 85000 | 100000 | - | 2,70 | 4,20 | 6 | 0,800 | | | X | | 0,00019 | |
| | 5 | 2,5 | 0,08 | 648/2 | 648/2 Z | 648/2 2Z | - | - | 130 | 50 | 85000 | 100000 | - | 2,70 | 4,20 | 6 | 0,800 | | | X | | 0,00020 | |
| | 6 | 2,3 | 0,15 | 619/2 | - | - | - | - | 260 | 100 | 75000 | 90000 | - | 3,00 | 4,80 | 6 | 1,200 | | | X | | 0,00028 | |
| | 6 | 2,5 | 0,15 | 629/2 | 629/2 Z | 629/2 2Z | - | - | 260 | 100 | 75000 | 90000 | - | 3,00 | 5,20 | 6 | 1,200 | | | X | | 0,00030 | |
| | 6 | 3 | 0,15 | 639/2 | 639/2 Z | 639/2 2Z | - | - | 260 | 100 | 75000 | 90000 | - | 3,00 | 5,20 | 6 | 1,200 | | | X | | 0,00032 | |
| | 7 | 2,5 | 0,15 | 600/2 | - | - | - | - | 300 | 130 | 63000 | 75000 | - | 3,85 | 5,65 | 7 | 1,200 | | X | X | | 0,00042 | |
| | 7 | 2,8 | 0,15 | 610/2 | - | - | - | - | 300 | 130 | 63000 | 75000 | - | 3,85 | 5,65 | 7 | 1,200 | | X | X | | 0,00047 | |
| | 7 | 3 | 0,15 | 620/2 | 620/2 Z | 620/2 2Z | - | - | 300 | 130 | 63000 | 75000 | - | 3,15 | 6,20 | 7 | 1,200 | | X | X | | 0,00050 | |
| 2,5 | 7 | 3,5 | 0,15 | 630/2 | 630/2 Z | 630/2 2Z | - | - | 300 | 130 | 63000 | 75000 | - | 3,15 | 6,20 | 7 | 1,200 | | X | X | | 0,00060 | |
| | 6 | 1,8 | 0,08 | 618/2,5 | - | - | - | - | 160 | 65 | 67000 | 80000 | - | 3,70 | 4,90 | 8 | 0,800 | | X | X | | 0,00020 | |
| | 6 | 2,6 | 0,08 | 638/2,5 | 638/2,5 Z | 638/2,5 2Z | - | - | 160 | 65 | 67000 | 80000 | - | 3,70 | 5,20 | 8 | 0,800 | | X | X | | 0,00030 | |
| | 7 | 2,5 | 0,15 | 619/2,5 | - | - | - | - | 300 | 130 | 63000 | 75000 | - | 3,85 | 5,65 | 7 | 1,200 | | X | X | | 0,00040 | |
| | 7 | 3,5 | 0,15 | 639/2,5 | 639/2,5 Z | 639/2,5 2Z | - | - | 300 | 130 | 63000 | 75000 | - | 3,85 | 6,20 | 7 | 1,200 | | X | X | | 0,00050 | |
| | 8 | 2,5 | 0,15 | 600/2,5 | - | - | - | - | 430 | 180 | 56000 | 67000 | - | 4,10 | 6,40 | 6 | 1,588 | | | X | | 0,00060 | |
| | 8 | 2,8 | 0,15 | 610/2,5 | - | - | - | - | 430 | 180 | 56000 | 67000 | - | 4,10 | 6,40 | 6 | 1,588 | | | X | | 0,00065 | |
| | 8 | 4 | 0,15 | 630/2,5 | 630/2,5 Z | 630/2,5 2Z | - | - | 430 | 180 | 56000 | 67000 | - | 3,50 | 7,00 | 6 | 1,588 | | | X | | 0,00085 | |
| | 3 | 6 | 2 | 0,08 | 617/3 | - | - | - | - | 110 | 40 | 67000 | 80000 | - | 3,70 | 4,90 | 8 | 0,800 | | X | X | | 0,00020 |
| | | 6 | 2,5 | 0,08 | 627/3 | 627/3 Z | 627/3 2Z | - | - | 110 | 40 | 67000 | 80000 | - | 3,70 | 5,20 | 8 | 0,800 | | X | X | | 0,00025 |
| 6 | | 3 | 0,08 | 637/3 | 637/3 Z | 637/3 2Z | - | - | 110 | 40 | 67000 | 80000 | - | 3,70 | 5,20 | 8 | 0,800 | | X | X | | 0,00030 | |
| 7 | | 2 | 0,10 | 618/3 | - | - | - | - | 300 | 127 | 63000 | 75000 | - | 4,30 | 5,80 | 8 | 1,000 | | | X | | 0,00032 | |
| 7 | | 3 | 0,10 | 638/3 | 638/3 Z | 638/3 2Z | 638/3 RS | 638/3 2RS | 300 | 127 | 45000 | 52000 | 26000 | 3,60 | 6,40 | 8 | 1,190 | X | | X | | 0,00045 | |
| 8 | | 2,5 | 0,15 | 609/3 | - | - | - | - | 440 | 180 | 56000 | 67000 | - | 4,30 | 6,70 | 6 | 1,588 | | X | X | | 0,00050 | |
| 8 | | 3 | 0,15 | 619/3 | 619/3 Z | 619/3 2Z | - | - | 480 | 210 | 42000 | 49000 | - | 3,80 | 7,20 | 7 | 1,588 | | X | X | | 0,00060 | |
| 8 | | 4 | 0,15 | 639/3 | 639/3 Z | 639/3 2Z | 639/3 RS | 639/3 2RS | 480 | 210 | 42000 | 49000 | 26000 | 3,80 | 7,20 | 7 | 1,588 | | X | X | | 0,00080 | |
| 9 | | 2,5 | 0,15 | 600/3 | - | - | - | - | 290 | 110 | 56000 | 67000 | - | 4,80 | 7,20 | 6 | 1,588 | | | X | | 0,00075 | |
| 9 | | 3 | 0,15 | 610/3 | 610/3 Z | 610/3 2Z | - | - | 450 | 190 | 56000 | 67000 | - | 4,80 | 7,20 | 6 | 1,588 | | | X | | 0,00080 | |
| 4 | 9 | 4 | 0,15 | 620/3 | 620/3 Z | 620/3 2Z | - | - | 450 | 190 | 56000 | 67000 | - | 4,80 | 7,20 | 6 | 1,588 | | | X | | 0,00100 | |
| | 10 | 4 | 0,15 | 623 | 623 Z | 623 2Z | 623 RS | 623 2RS | 710 | 230 | 40000 | 48000 | 26000 | 4,20 | 8,80 | 7 | 1,588 | X | X | | | 0,00150 | |
| | 7 | 2 | 0,08 | 617/4 | - | - | - | - | 160 | 65 | 56000 | 67000 | - | 4,75 | 6,00 | 8 | 1,000 | | | X | | 0,00023 | |
| | 7 | 2,5 | 0,08 | 627/4 | 627/4 Z | 627/4 2Z | - | - | 160 | 65 | 56000 | 67000 | - | 4,80 | 6,40 | 11 | 0,800 | | | X | | 0,00033 | |
| | 7 | 3 | 0,08 | 637/4 | 637/4 Z | 637/4 2Z | - | - | 160 | 65 | 56000 | 67000 | - | 4,80 | 6,40 | 11 | 0,800 | | | X | | 0,00035 | |
| | 8 | 2 | 0,08 | MR 84 | - | - | - | - | 160 | 65 | 56000 | 67000 | - | 4,80 | 6,40 | 11 | 0,800 | | | X | | 0,00040 | |
| | 8 | 3 | 0,08 | MR84/3 | MR 84/3 Z | MR 84/3 2Z | - | - | 210 | 80 | 56000 | 67000 | - | 5,00 | 7,40 | 7 | 1,200 | | X | | | 0,00045 | |
| | 9 | 2,5 | 0,10 | 618/4 | - | - | - | - | 490 | 215 | 39000 | 46000 | - | 4,60 | 8,40 | 7 | 1,588 | X | X | | | 0,00065 | |
| | 9 | 4 | 0,10 | 638/4 | 638/4 Z | 638/4 2Z | 638/4 RS | 638/4 2RS | 490 | 215 | 39000 | 46000 | 26000 | 4,60 | 8,40 | 7 | 1,588 | X | X | | | 0,00100 | |
| | 10 | 3 | 0,10 | MR 104 | - | - | - | - | 300 | 120 | 48000 | 56000 | - | 6,10 | 8,40 | 6 | 1,588 | | | X | | 0,00090 | |
| 5 | 10 | 4 | 0,10 | MR 104/4 | MR 104/4 Z | MR 104/4 2Z | - | - | 300 | 120 | 48000 | 56000 | - | 5,60 | 9,00 | 6 | 1,588 | | | X | | 0,00120 | |
| | 11 | 4 | 0,15 | 619/4 | 619/4 Z | 619/4 2Z | 619/4 RS | 619/4 2RS | 530 | 240 | 36000 | 43000 | 24000 | 4,80 | 10,20 | 8 | 1,588 | X | X | | | 0,00175 | |
| | 12 | 4 | 0,20 | 604 | 604 Z | 604 2Z | 604 RS | 604 2RS | 530 | 240 | 36000 | 43000 | 24000 | 5,40 | 10,60 | 8 | 1,588 | X | X | | | 0,00215 | |
| | 13 | 5 | 0,20 | 624 | 624 Z | 624 2Z | 624 RS | 624 2RS | 1290 | 490 | 38000 | 45000 | 24000 | 5,60 | 11,40 | 7 | 2,381 | X | X | | | 0,00315 | |
| | 16 | 5 | 0,30 | 634 | 634 Z | 634 2Z | 634 RS | 634 2RS | 1900 | 590 | 36000 | 43000 | 22000 | 6,00 | 14,00 | 6 | 3,175 | X | X | | | 0,00500 | |
| | 8 | 2 | 0,08 | 617/5 | - | - | - | - | 100 | 35 | 53000 | 63000 | - | 5,80 | 7,00 | 8 | 1,000 | | | X | | 0,00025 | |
| | 8 | 2,5 | 0,08 | 6275 | 6275 Z | 6275 2Z | - | - | 100 | 35 | 53000 | 63000 | - | 5,80 | 7,40 | 9 | 0,800 | | | X | | 0,00032 | |
| | 9 | 2,5 | 0,10 | MR 95 | - | - | - | - | 230 | 90 | 50000 | 60000 | - | 6,00 | 7,80 | 8 | 1,200 | | | X | | 0,00054 | |
| | 9 | 3 | 0,10 | MR 95/3 | MR 95/3 Z | - | - | - | 230 | 90 | 50000 | 60000 | - | 6,00 | 8,20 | 8 | 1,200 | | | X | | 0,00058 | |
| | 10 | 3 | 0,10 | MR 105 | - | - | - | - | 230 | 90 | 50000 | 60000 | - | 6,00 | 7,80 | 8 | 1,200 | | | X | | 0,00090 | |
| | 10 | 4 | 0,10 | MR 105/4 | MR 105/4 Z | MR 105/4 2Z | - | - | 230 | 90 | 50000 | 60000 | - | 6,00 | 7,80 | 8 | 1,200 | | | X | | 0,00118 | |

| | | | | | | | | | | | | | | | | | | | | | | |
|----|----|-----|------|----------|------------|-------------|----------|-----------|------|------|-------|-------|-------|-------|-------|----|-------|---|---|---|---|---------|
| | 11 | 3 | 0,15 | 618/5 | - | - | - | - | 530 | 240 | 36000 | 43000 | - | 5,80 | 10,70 | 8 | 1,588 | | X | | | 0,00110 |
| | 11 | 4 | 0,15 | 628/5 | 628/5 Z | 628/5 ZZ | - | - | 560 | 260 | 45000 | 53000 | - | 6,20 | 9,90 | 8 | 1,588 | | X | | | 0,00135 |
| | 11 | 5 | 0,15 | 638/5 | 638/5 Z | 638/5 ZZ | 638/5 RS | 638/5 2RS | 530 | 240 | 36000 | 43000 | 24000 | 5,80 | 10,70 | 8 | 1,588 | | X | | | 0,00174 |
| | 13 | 4 | 0,20 | 619/5 | 619/5 Z | 619/5 ZZ | 619/5 RS | 619/5 2RS | 790 | 370 | 36000 | 43000 | 24000 | 6,40 | 11,60 | 8 | 1,984 | X | X | | | 0,00228 |
| | 14 | 5 | 0,20 | 605 | 605 Z | 605 ZZ | 605 RS | 605 2RS | 1020 | 480 | 35000 | 42000 | 22000 | 7,00 | 12,50 | 7 | 2,381 | X | X | | | 0,00310 |
| | 16 | 5 | 0,30 | 625 | 625 Z | 625 ZZ | 625 RS | 625 2RS | 1900 | 590 | 36000 | 43000 | 22000 | 7,00 | 14,00 | 6 | 3,175 | X | X | | X | 0,00500 |
| | 19 | 6 | 0,30 | 635 | 635 Z | 635 ZZ | 635 RS | 635 2RS | 2450 | 900 | 32000 | 38000 | 22000 | 7,00 | 17,00 | 8 | 3,175 | X | X | | X | 0,00900 |
| 6 | 10 | 2,5 | 0,10 | 617/6 | - | - | - | - | 260 | 120 | 45000 | 53000 | - | 7,00 | 8,90 | 10 | 1,200 | | | X | | 0,00055 |
| | 10 | 3 | 0,10 | 627/6 | 627/6 Z | 627/6 ZZ | - | - | 260 | 120 | 45000 | 53000 | - | 7,00 | 9,25 | 10 | 1,200 | | | X | | 0,00065 |
| | 12 | 3 | 0,10 | MR 126 | - | - | - | - | 370 | 160 | 43000 | 50000 | - | 7,70 | 10,20 | 8 | 1,588 | | | X | | 0,00125 |
| | 12 | 4 | 0,10 | MR 126/4 | MR 126/4 Z | MR 126/4 ZZ | - | - | 370 | 160 | 43000 | 50000 | - | 7,20 | 10,90 | 8 | 1,588 | | | X | | 0,00155 |
| | 13 | 3,5 | 0,15 | 618/6 | - | - | - | - | 790 | 370 | 33000 | 40000 | - | 6,80 | 11,60 | 8 | 1,984 | X | X | | | 0,00180 |
| | 13 | 5 | 0,15 | 628/6 | 628/6 Z | 628/6 ZZ | 628/6 RS | 628/6 2RS | 790 | 370 | 33000 | 40000 | 22000 | 6,80 | 11,60 | 8 | 1,984 | X | X | | | 0,00244 |
| | 15 | 5 | 0,20 | 619/6 | 619/6 Z | 619/6 ZZ | 619/6 RS | 619/6 2RS | 1340 | 650 | 33000 | 40000 | 22000 | 7,40 | 13,60 | 7 | 2,778 | X | X | | X | 0,00358 |
| | 17 | 6 | 0,30 | 606 | 606 Z | 606 ZZ | 606 RS | 606 2RS | 1540 | 740 | 32000 | 39000 | 22000 | 8,00 | 15,60 | 8 | 2,381 | X | X | X | X | 0,00600 |
| | 19 | 6 | 0,30 | 626 | 626 Z | 626 ZZ | 626 RS | 626 2RS | 2450 | 900 | 32000 | 38000 | 22000 | 8,00 | 17,00 | 8 | 3,175 | X | X | X | X | 0,00800 |
| 7 | 11 | 2,5 | 0,10 | 617/7 | - | - | - | - | 240 | 110 | 43000 | 50000 | - | 8,00 | 9,90 | 9 | 1,200 | | | X | | 0,00070 |
| | 11 | 3 | 0,10 | 627/7 | 627/7 Z | 627/7 ZZ | - | - | 240 | 110 | 43000 | 50000 | - | 8,00 | 10,20 | 9 | 1,200 | | | X | | 0,00080 |
| | 13 | 3 | 0,15 | MR 137 | - | - | - | - | 280 | 140 | 43000 | 50000 | - | 9,35 | 11,15 | 12 | 1,200 | | | X | | 0,00150 |
| | 13 | 4 | 0,15 | MR 137/4 | MR 137/4 Z | MR 137/4 ZZ | - | - | 280 | 140 | 43000 | 50000 | - | 9,00 | 11,60 | 12 | 1,200 | | | X | | 0,00180 |
| | 14 | 3,5 | 0,15 | 618/7 | - | - | - | - | 860 | 420 | 38000 | 45000 | - | 7,80 | 13,20 | 9 | 1,984 | | X | | | 0,00200 |
| | 14 | 5 | 0,15 | 628/7 | 628/7 Z | 628/7 ZZ | 628/7 RS | 628/7 2RS | 860 | 420 | 38000 | 45000 | 22000 | 7,80 | 13,20 | 9 | 1,984 | | X | | | 0,00270 |
| | 17 | 5 | 0,30 | 619/7 | 619/7 Z | 619/7 ZZ | 619/7 RS | 619/7 2RS | 1200 | 615 | 36000 | 43000 | 20000 | 9,40 | 14,60 | 9 | 2,381 | | X | | | 0,00480 |
| | 19 | 6 | 0,30 | 607 | 607 Z | 607 ZZ | 607 RS | 607 2RS | 2450 | 900 | 32000 | 38000 | 22000 | 9,00 | 17,00 | 8 | 3,175 | X | X | | X | 0,00800 |
| | 22 | 7 | 0,30 | 627 | 627 Z | 627 ZZ | 627 RS | 627 2RS | 3250 | 1180 | 30000 | 36000 | 20000 | 9,00 | 20,00 | 7 | 3,969 | X | X | | X | 0,01300 |
| 8 | 12 | 2,5 | 0,10 | 617/8 | - | - | - | - | 280 | 140 | 40000 | 48000 | - | 9,00 | 10,95 | 12 | 1,200 | | | X | | 0,00070 |
| | 12 | 3,5 | 0,10 | 637/8 | 637/8 Z | 637/8 ZZ | - | - | 280 | 140 | 40000 | 48000 | - | 9,00 | 11,30 | 12 | 1,200 | | | X | | 0,00090 |
| | 14 | 3,5 | 0,15 | MR 148 | - | - | - | - | 420 | 200 | 38000 | 45000 | - | 9,85 | 12,20 | 10 | 1,588 | | X | | | 0,00190 |
| | 14 | 4 | 0,15 | MR 148/4 | MR 148/4 Z | MR 148/4 ZZ | - | - | 420 | 200 | 38000 | 45000 | - | 9,20 | 12,80 | 10 | 1,588 | | X | | | 0,00194 |
| | 16 | 4 | 0,20 | 618/8 | 618/8 Z | 618/8 ZZ | - | - | 1200 | 615 | 36000 | 43000 | - | 9,40 | 14,60 | 9 | 2,381 | X | X | | | 0,00300 |
| | 16 | 5 | 0,20 | 628/8 | 628/8 Z | 628/8 ZZ | 628/8 RS | 628/8 2RS | 1200 | 615 | 36000 | 43000 | 20000 | 9,40 | 14,60 | 9 | 2,381 | X | X | | | 0,00360 |
| | 16 | 6 | 0,20 | 638/8 | 638/8 Z | 638/8 ZZ | 638/8 RS | 638/8 2RS | 1200 | 615 | 36000 | 43000 | 20000 | 9,40 | 14,60 | 9 | 2,381 | X | X | | | 0,00420 |
| | 19 | 6 | 0,30 | 619/8 | 619/8 Z | 619/8 ZZ | 619/8 RS | 619/8 2RS | 2450 | 900 | 32000 | 38000 | 22000 | 9,00 | 17,00 | 8 | 3,175 | X | X | | X | 0,00750 |
| | 22 | 7 | 0,30 | 608 | 608 Z | 608 ZZ | 608 RS | 608 2RS | 3250 | 1180 | 30000 | 36000 | 20000 | 10,00 | 20,00 | 7 | 3,969 | X | X | | X | 0,01200 |
| | 24 | 8 | 0,30 | 628 | 628 Z | 628 ZZ | 628 RS | 628 2RS | 4000 | 1410 | 30000 | 36000 | 20000 | 10,00 | 20,00 | 7 | 3,969 | X | X | | X | 0,01400 |
| 9 | 17 | 4 | 0,20 | 618/9 | - | - | - | - | 1290 | 685 | 36000 | 43000 | - | 10,40 | 15,60 | 10 | 2,381 | | X | | | 0,00560 |
| | 17 | 5 | 0,20 | 628/9 | 628/9 Z | 628/9 ZZ | 628/9 RS | 628/9 2RS | 1290 | 685 | 36000 | 43000 | 19000 | 10,40 | 15,60 | 10 | 2,381 | | X | | | 0,00580 |
| | 17 | 6 | 0,20 | 638/9 | 638/9 Z | 638/9 ZZ | 638/9 RS | 638/9 2RS | 1290 | 685 | 32000 | 40000 | 18000 | 10,40 | 15,60 | 10 | 2,381 | | X | | | 0,00600 |
| | 20 | 6 | 0,30 | 619/9 | 619/9 Z | 619/9 ZZ | 619/9 RS | 619/9 2RS | 1830 | 800 | 32000 | 40000 | 18000 | 12,00 | 17,00 | 10 | 2,381 | | X | | X | 0,00800 |
| | 24 | 7 | 0,30 | 609 | 609 Z | 609 ZZ | 609 RS | 609 2RS | 3650 | 1430 | 30000 | 36000 | 19000 | 11,00 | 22,00 | 8 | 3,969 | X | X | | X | 0,01500 |
| | 26 | 8 | 0,30 | 629 | 629 Z | 629 ZZ | 629 RS | 629 2RS | 4550 | 1700 | 28000 | 34000 | 18000 | 11,00 | 24,00 | 7 | 4,762 | X | X | | X | 0,02100 |
| 10 | 15 | 3 | 0,10 | 61700 | - | - | - | - | 750 | 440 | 36000 | 43000 | - | 11,25 | 13,60 | 11 | 1,588 | | | X | X | 0,00240 |
| | 15 | 4 | 0,10 | 62700 | 62700 Z | 62700 ZZ | 62700 RS | 62700 2RS | 750 | 440 | 36000 | 43000 | 20000 | 11,25 | 14,00 | 11 | 1,588 | | | X | X | 0,00300 |
| | 19 | 5 | 0,30 | 61800 | 61800 Z | 61800 ZZ | 61800 RS | 61800 2RS | 1830 | 800 | 32000 | 40000 | 18000 | 12,00 | 17,00 | 10 | 2,381 | | X | | X | 0,00500 |
| | 19 | 6 | 0,30 | 62800 | 62800 Z | 62800 ZZ | 62800 RS | 62800 2RS | 1830 | 800 | 32000 | 40000 | 18000 | 12,00 | 17,00 | 10 | 2,381 | | X | | X | 0,00600 |
| | 19 | 7 | 0,30 | 63800 | 63800 Z | 63800 ZZ | 63800 RS | 63800 2RS | 1830 | 800 | 32000 | 40000 | 18000 | 12,00 | 17,00 | 10 | 2,381 | | X | | X | 0,00650 |
| | 22 | 6 | 0,30 | 61900 | 61900 Z | 61900 ZZ | 61900 RS | 61900 2RS | 2000 | 1100 | 30000 | 36000 | 18000 | 12,00 | 20,00 | 9 | 3,175 | | X | | X | 0,00300 |
| | 26 | 8 | 0,30 | 6000 | 6000 Z | 6000 ZZ | 6000 RS | 6000 2RS | 4550 | 1700 | 28000 | 34000 | 18000 | 12,00 | 24,00 | 7 | 4,762 | X | X | | X | 0,02000 |
| | 28 | 8 | 0,30 | 16100 | 16100 Z | 16100 ZZ | 16100 RS | 16100 2RS | 4550 | 1700 | 28000 | 34000 | 18000 | 12,00 | 26,00 | 7 | 4,762 | X | X | | X | 0,02300 |
| | 30 | 9 | 0,60 | 6200 | 6200 Z | 6200 ZZ | 6200 RS | 6200 2RS | 6000 | 2240 | 26000 | 32000 | 17000 | 14,00 | 26,00 | 7 | 5,556 | X | X | | X | 0,03100 |
| | 35 | 11 | 0,60 | 6300 | 6300 Z | 6300 ZZ | 6300 RS | 6300 2RS | 8150 | 3000 | 22000 | 28000 | 15000 | 14,00 | 31,00 | 6 | 7,144 | X | X | | X | 0,05200 |
| 12 | 8 | 4 | 0,20 | 61701 | 61701 Z | 61701 ZZ | 61701 RS | 61701 2RS | 840 | 550 | 31000 | 37000 | 19000 | 13,90 | 16,70 | 13 | 1,588 | | | X | X | 0,00480 |
| | 21 | 5 | 0,30 | 61801 | 61801 Z | 61801 ZZ | 61801 RS | 61801 2RS | 1930 | 900 | 30000 | 36000 | 18000 | 14,00 | 19,00 | 12 | 2,381 | | X | | X | 0,00600 |
| | 21 | 6 | 0,30 | 62801 | 62801 Z | 62801 ZZ | 62801 RS | 62801 2RS | 1930 | 900 | 30000 | 36000 | 18000 | 14,00 | 19,00 | 12 | 2,381 | | X | | X | 0,00700 |
| | 21 | 7 | 0,30 | 63801 | 63801 Z | 63801 ZZ | 63801 RS | 63801 2RS | 1930 | 900 | 30000 | 36000 | 18000 | 14,00 | 19,00 | 12 | 2,381 | | X | | X | 0,00750 |
| | 24 | 6 | 0,30 | 61901 | 61901 Z | 61901 ZZ | 61901 RS | 61901 2RS | 2150 | 1210 | 28000 | 34000 | 18000 | 14,00 | 22,00 | 10 | 3,175 | | X | | X | 0,01400 |
| | 28 | 8 | 0,30 | 6001 | 6001 Z | 6001 ZZ | 6001 RS | 6001 2RS | 5100 | 2040 | 26000 | 32000 | 17000 | 14,00 | 26,00 | 8 | 4,762 | X | X | | X | 0,02200 |
| | 30 | 8 | 0,30 | 16101 | 16101 Z | 16101 ZZ | 16101 RS | 16101 2RS | 5100 | 2040 | 26000 | 32000 | 17000 | 14,00 | 28,00 | 8 | 4,762 | X | X | | X | 0,02500 |
| | 32 | 10 | 0,60 | 6201 | 6201 Z | 6201 ZZ | 6201 RS | 6201 2RS | 6950 | 2650 | 24000 | 30000 | 15000 | 16,00 | 28,00 | 7 | 6,000 | X | | X | X | 0,03700 |
| | 37 | 12 | 1,00 | 6301 | 6301 Z | 6301 ZZ | 6301 RS | 6301 2RS | 9650 | 3650 | 20000 | 26000 | 14000 | 17,00 | 32,00 | 6 | 7,144 | X | | X | X | 0,06000 |

| | | | | | | | | | | | | | | | | | | | | | | |
|----|----|----|------|-------|---------|----------|----------|-----------|-------|-------|-------|-------|-------|-------|-------|----|--------|---|---|---|---|---------|
| 15 | 21 | 4 | 0,20 | 61702 | 61702 Z | 61702 ZZ | 61702 RS | 61702 2RS | 900 | 660 | 27000 | 32000 | 15000 | 16,90 | 19,70 | 14 | 1,588 | | | X | X | 0,00550 |
| | 24 | 5 | 0,30 | 61802 | 61802 Z | 61802 ZZ | 61802 RS | 61802 2RS | 2080 | 1100 | 28000 | 34000 | 16000 | 17,00 | 22,00 | 14 | 2,381 | | X | | X | 0,00700 |
| | 24 | 6 | 0,30 | 62802 | 62802 Z | 62802 ZZ | 62802 RS | 62802 2RS | 2080 | 1100 | 28000 | 34000 | 16000 | 17,00 | 22,00 | 14 | 2,381 | | X | | X | 0,00800 |
| | 24 | 7 | 0,30 | 63802 | 63802 Z | 63802 ZZ | 63802 RS | 63802 2RS | 2080 | 1100 | 28000 | 34000 | 16000 | 17,00 | 22,00 | 14 | 2,381 | | X | | X | 0,00850 |
| | 28 | 7 | 0,30 | 61902 | 61902 Z | 61902 ZZ | 61902 RS | 61902 2RS | 2300 | 1330 | 26000 | 32000 | 15000 | 17,00 | 26,00 | 11 | 3,175 | | X | | X | 0,01500 |
| | 32 | 8 | 0,30 | 16002 | - | - | - | - | 5600 | 2450 | 24000 | 30000 | - | 17,00 | 30,00 | 9 | 4,762 | X | | | X | 0,02700 |
| | 32 | 9 | 0,30 | 6002 | 6002 Z | 6002 ZZ | 6002 RS | 6002 2RS | 5600 | 2450 | 24000 | 30000 | 14000 | 17,00 | 30,00 | 9 | 4,762 | X | X | | X | 0,03100 |
| | 35 | 11 | 0,60 | 6202 | 6202 Z | 6202 ZZ | 6202 RS | 6202 2RS | 7800 | 3250 | 20000 | 26000 | 13000 | 19,00 | 31,00 | 8 | 6,000 | X | X | | X | 0,04600 |
| | 42 | 13 | 1,00 | 6302 | 6302 Z | 6302 ZZ | 6302 RS | 6302 2RS | 11400 | 4650 | 18000 | 22000 | 12000 | 20,00 | 37,00 | 7 | 7,500 | X | X | | X | 0,08300 |
| 17 | 23 | 4 | 0,20 | 61703 | 61703 Z | 61703 ZZ | 61703 RS | 61703 2RS | 940 | 730 | 25000 | 30000 | 13000 | 18,90 | 21,70 | 16 | 1,588 | | | X | X | 0,00600 |
| | 26 | 5 | 0,30 | 61803 | 61803 Z | 61803 ZZ | 61803 RS | 61803 2RS | 2240 | 1270 | 26000 | 32000 | 15000 | 19,00 | 24,00 | 14 | 2,381 | | X | | X | 0,00800 |
| | 26 | 6 | 0,30 | 62803 | 62803 Z | 62803 ZZ | 62803 RS | 62803 2RS | 2240 | 1270 | 26000 | 32000 | 15000 | 19,00 | 24,00 | 14 | 2,381 | | X | | X | 0,00900 |
| | 26 | 7 | 0,30 | 63803 | 63803 Z | 63803 ZZ | 63803 RS | 63803 2RS | 2240 | 1270 | 26000 | 32000 | 15000 | 19,00 | 24,00 | 14 | 2,381 | | X | | X | 0,00950 |
| | 30 | 7 | 0,30 | 61903 | 61903 Z | 61903 ZZ | 61903 RS | 61903 2RS | 3460 | 2100 | 24000 | 30000 | 14000 | 19,00 | 28,00 | 11 | 3,969 | | X | | X | 0,01600 |
| | 35 | 8 | 0,30 | 16003 | - | - | - | - | 6000 | 2800 | 22000 | 28000 | - | 19,00 | 33,00 | 10 | 4,762 | X | X | | X | 0,03200 |
| | 35 | 10 | 0,30 | 6003 | 6003 Z | 6003 ZZ | 6003 RS | 6003 2RS | 6000 | 2800 | 22000 | 28000 | 13000 | 19,00 | 33,00 | 10 | 4,762 | X | X | | X | 0,03900 |
| | 40 | 12 | 0,60 | 6203 | 6203 Z | 6203 ZZ | 6203 RS | 6203 2RS | 9500 | 4750 | 18000 | 22000 | 12000 | 21,00 | 36,00 | 8 | 6,747 | X | X | | X | 0,06500 |
| | 47 | 14 | 1,00 | 6303 | 6303 Z | 6303 ZZ | 6303 RS | 6303 2RS | 3500 | 6550 | 16000 | 19000 | 11600 | 22,00 | 42,00 | 7 | 8,731 | X | X | | X | 0,12000 |
| 20 | 27 | 4 | 0,20 | 61704 | 61704 Z | 61704 ZZ | 61704 RS | 61704 2RS | 1400 | 1100 | 21000 | 25000 | - | 22,40 | 25,30 | 18 | 1,588 | | | X | X | 0,00800 |
| | 32 | 7 | 0,30 | 61804 | 61804 Z | 61804 ZZ | 61804 RS | 61804 2RS | 3150 | 2140 | 19500 | 23500 | - | 23,20 | 29,70 | 11 | 9,989 | | X | | X | 0,01800 |
| | 37 | 9 | 0,30 | 61904 | 61904 Z | 61904 ZZ | 61904 RS | 61904 2RS | 5000 | 3300 | 17500 | 20500 | - | 25,20 | 33,50 | 11 | 4,762 | | X | | X | 0,03800 |
| | 42 | 12 | 0,60 | 6004 | 6004 Z | 6004 ZZ | 6004 RS | 6004 2RS | 9360 | 5000 | 17000 | 20000 | 13000 | 23,00 | 39,00 | 9 | 6,350 | X | X | | X | 0,06900 |
| | 47 | 14 | 1,00 | 6204 | 6204 Z | 6204 ZZ | 6204 RS | 6204 2RS | 12700 | 6580 | 15000 | 18000 | 11000 | 25,00 | 42,00 | 8 | 7,938 | X | X | | X | 0,11000 |
| | 52 | 15 | 1,10 | 6304 | 6304 Z | 6304 ZZ | 6304 RS | 6304 2RS | 15900 | 7800 | 13000 | 16000 | 9500 | 27,00 | 45,00 | 7 | 9,525 | X | X | | X | 0,14000 |
| 25 | 32 | 4 | 0,20 | 61705 | 61705 Z | 61705 ZZ | 61705 RS | 61705 2RS | 1510 | 1340 | 19000 | 23000 | - | 27,40 | 33,30 | 21 | 1,588 | | | X | X | 0,01000 |
| | 37 | 7 | 0,30 | 61805 | 61805 Z | 61805 ZZ | 61805 RS | 61805 2RS | 3350 | 2490 | 17000 | 20000 | - | 28,20 | 33,70 | 13 | 3,969 | | X | | X | 0,02200 |
| | 42 | 9 | 0,30 | 61905 | 61905 Z | 61905 ZZ | 61905 RS | 61905 2RS | 5500 | 3950 | 15000 | 18000 | - | 30,90 | 38,45 | 13 | 4,762 | | X | | X | 0,04500 |
| | 47 | 12 | 0,60 | 6005 | 6005 Z | 6005 ZZ | 6005 RS | 6005 2RS | 11200 | 6560 | 15000 | 18000 | 10500 | 28,00 | 44,00 | 10 | 6,350 | X | X | | X | 0,08000 |
| | 52 | 15 | 1,00 | 6205 | 6205 Z | 6205 ZZ | 6205 RS | 6205 2RS | 14000 | 7800 | 12000 | 15000 | 9000 | 30,50 | 47,00 | 9 | 7,938 | X | X | | X | 0,13000 |
| | 62 | 17 | 1,10 | 6305 | 6305 Z | 6305 ZZ | 6305 RS | 6305 2RS | 22500 | 11600 | 11000 | 14000 | 8000 | 32,00 | 55,00 | 8 | 10,319 | X | X | | X | 0,23000 |
| 30 | 37 | 4 | 0,30 | 61706 | 61706 Z | 61706 ZZ | 61706 RS | 61706 2RS | 790 | 540 | 14700 | 17500 | - | 32,40 | 34,70 | 24 | 1,588 | | | X | X | 0,01500 |
| | 42 | 7 | 0,30 | 61806 | 61806 Z | 61806 ZZ | 61806 RS | 61806 2RS | 4150 | 3335 | 14500 | 17500 | - | 34,00 | 38,10 | 17 | 3,500 | | X | | X | 0,02600 |
| | 47 | 9 | 0,30 | 61906 | 61906 Z | 61906 ZZ | 61906 RS | 61906 2RS | 7200 | 5000 | 13500 | 16000 | - | 35,40 | 41,70 | 14 | 4,762 | | X | | X | 0,05700 |
| | 55 | 13 | 1,00 | 6006 | 6006 Z | 6006 ZZ | 6006 RS | 6006 2RS | 13300 | 8300 | 12000 | 15000 | 8000 | 28,00 | 44,00 | 11 | 7,144 | X | X | | X | 0,12000 |
| | 62 | 16 | 1,00 | 6206 | 6206 Z | 6206 ZZ | 6206 RS | 6206 2RS | 19500 | 11200 | 10000 | 13000 | 7000 | 35,50 | 56,50 | 9 | 9,525 | X | X | | X | 0,20000 |
| | 72 | 19 | 1,10 | 6306 | 6306 Z | 6306 ZZ | 6306 RS | 6306 2RS | 28100 | 16000 | 9000 | 11000 | 6000 | 37,00 | 65,00 | 8 | 11,906 | X | X | | X | 0,35000 |
| 35 | 44 | 5 | 0,30 | 61707 | 61707 Z | 61707 ZZ | 61707 RS | 61707 2RS | 1290 | 930 | 13500 | 16200 | - | 38,00 | 41,10 | 26 | 2,000 | | | X | | 0,01800 |
| | 47 | 7 | 0,30 | 61807 | 61807 Z | 61807 ZZ | 61807 RS | 61807 2RS | 4300 | 3600 | 13000 | 15500 | - | 39,00 | 43,10 | 19 | 3,500 | | X | | | 0,02900 |
| | 55 | 10 | 0,60 | 61907 | 61907 Z | 61907 ZZ | 61907 RS | 61907 2RS | 9600 | 6800 | 11500 | 14000 | - | 41,40 | 48,60 | 14 | 5,953 | | X | | | 0,07400 |
| | 62 | 14 | 1,00 | 6007 | 6007 Z | 6007 ZZ | 6007 RS | 6007 2RS | 16000 | 10300 | 10000 | 12000 | - | 44,00 | 54,30 | 11 | 7,938 | X | X | | X | 0,15100 |
| 40 | 50 | 6 | 0,30 | 61708 | 61708 Z | 61708 ZZ | 61708 RS | 61708 2RS | 1740 | 1260 | 12500 | 15000 | - | 43,30 | 46,80 | 25 | 2,381 | | | X | | 0,02800 |
| | 52 | 7 | 0,30 | 61808 | 61808 Z | 61808 ZZ | 61808 RS | 61808 2RS | 4550 | 4050 | 11500 | 14000 | - | 44,00 | 48,10 | 21 | 3,500 | | X | | | 0,03500 |
| | 62 | 12 | 0,60 | 61908 | 61908 Z | 61908 ZZ | 61908 RS | 61908 2RS | 12200 | 8900 | 10000 | 12000 | - | 46,90 | 55,10 | 14 | 6,747 | | X | | | 0,11000 |
| | 68 | 15 | 1,00 | 6008 | 6008 Z | 6008 ZZ | 6008 RS | 6008 2RS | 16800 | 11500 | 9500 | 11400 | - | 49,30 | 58,70 | 12 | 7,938 | X | X | | X | 0,19000 |



Z



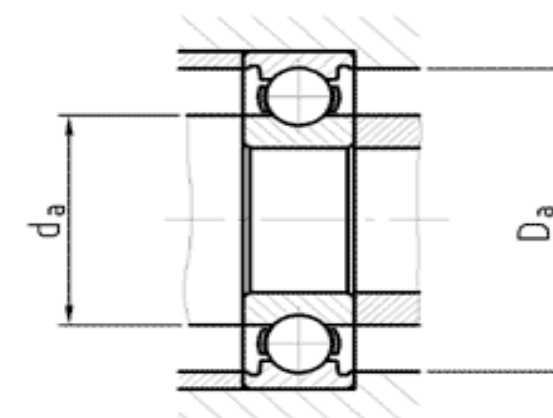
ZZ



RS



2RS



JESA SA
Rte du Petit-Moncor 9
1752 Villars-sur-Glâne
Switzerland
www.jesa.com | info@jesa.com
Tel : +41 (0) 26 408 47 00